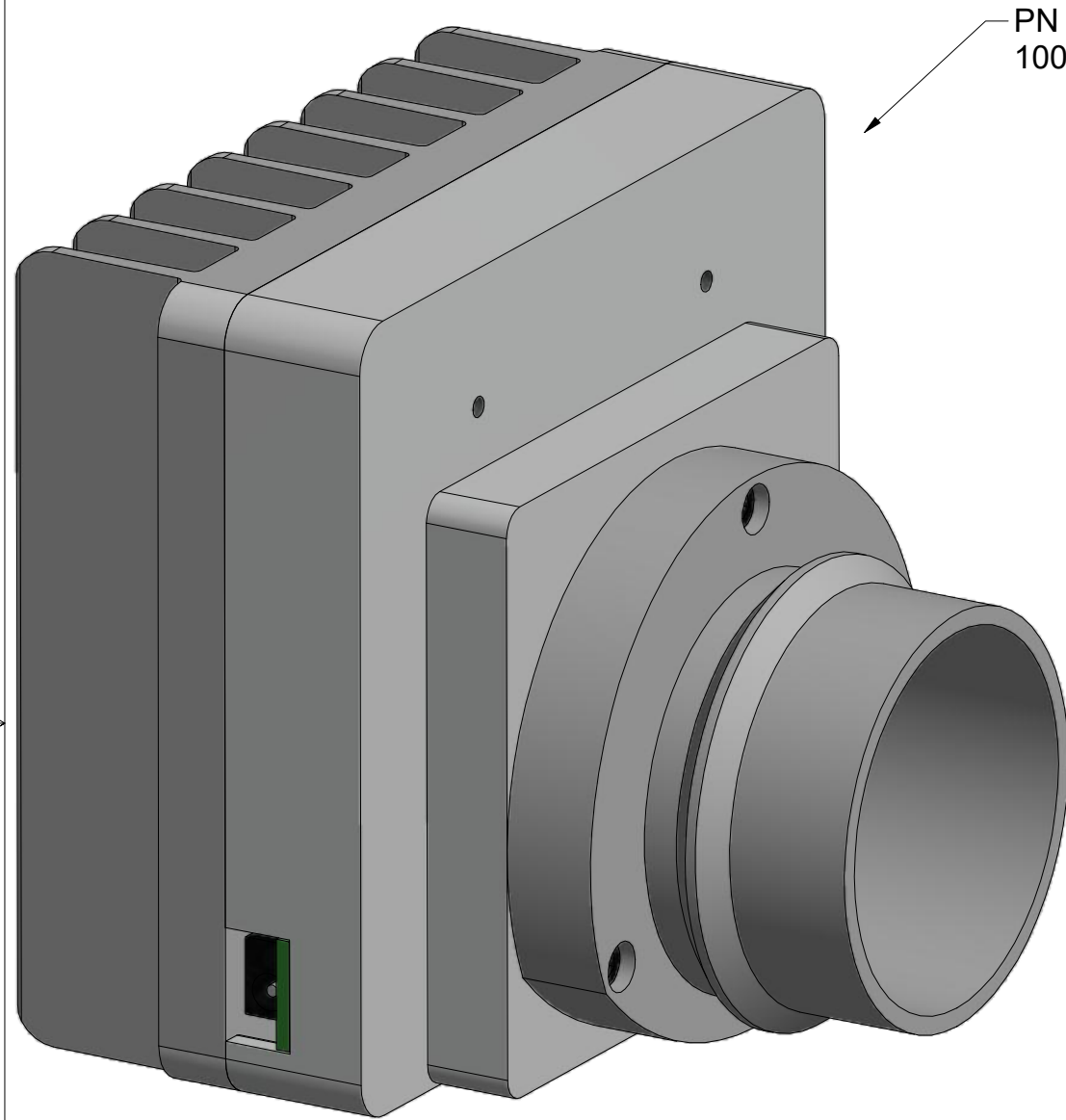
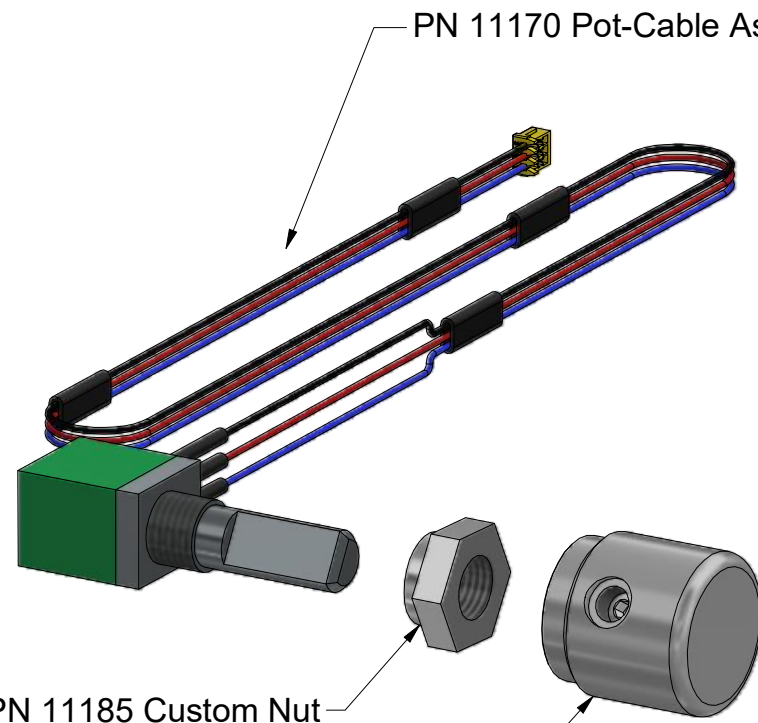


Nanodyne Replacement Illuminator for Leica DMR Microscope - Included Items



PN 10589 Leica DMLB
100W Illuminator Assy



PN 11170 Pot-Cable Assy (24 inch long)

PN 11185 Custom Nut

PN 11243 Knob 0.625 Dia

Additional Items Included But Not Shown:

- PN 10456 Hex Key 1.5mm (for pot knob)
- PN 10747 3mm Hex Key for set screw holding lamp housing

The illuminator may be powered by plugging the cable into the power supply provided, or into a suitable USB port on a computer or other device.



PN 11163 Power Supply 5V 2.1A and PN 10734 Power Cable 1.35mm ID/3.5mm OD x USB A 6 ft.



PN 10736 Rubber plug to block unused AC power receptacle.



Tape to secure wires.

Power supplies are subject to substitution without notice due to availability issues and changes in regulations.

Han-Seung Yang	3/1/2019
PN 11300 Leica DMR Illuminator System	REV 1
SHEET 1 OF 1	